

Freedom Designer Shower Grab Bar Package

Bronze,
APFCACCE605-0004





ACCESSIBILITY
PROFESSIONALS

FreedomShowers.com

1-877-947-7769

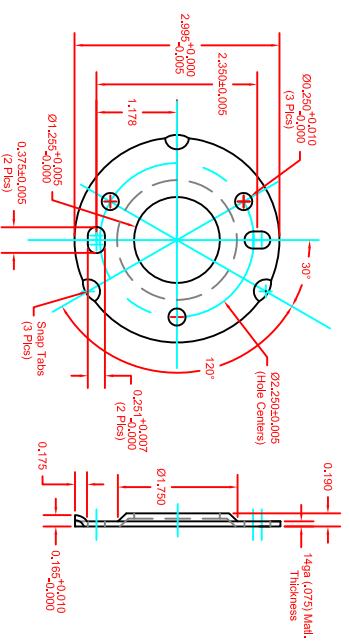
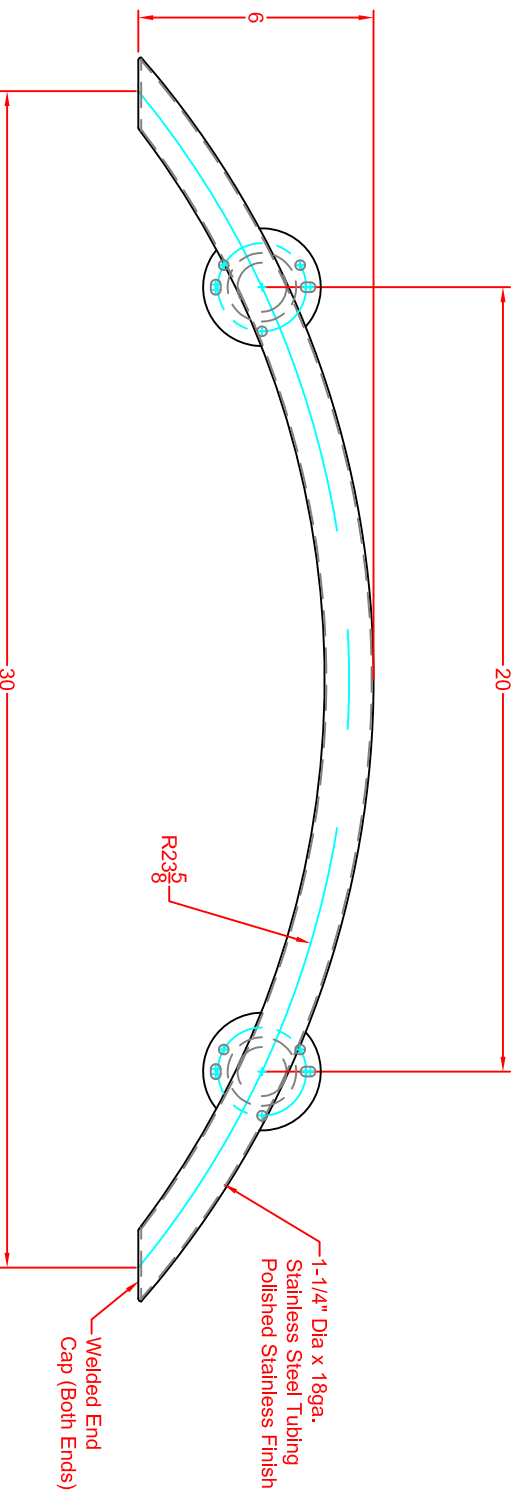
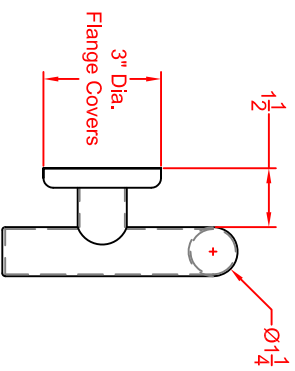
Description:

APFGW34300CRBR
30" Crescent Bar
1-1/4" x 18ga S.S. Tubing
Bronze Powder Coat Finish

Customer:

Customer Part #

05-21-2012



IQCR5-B-Flange
Detail



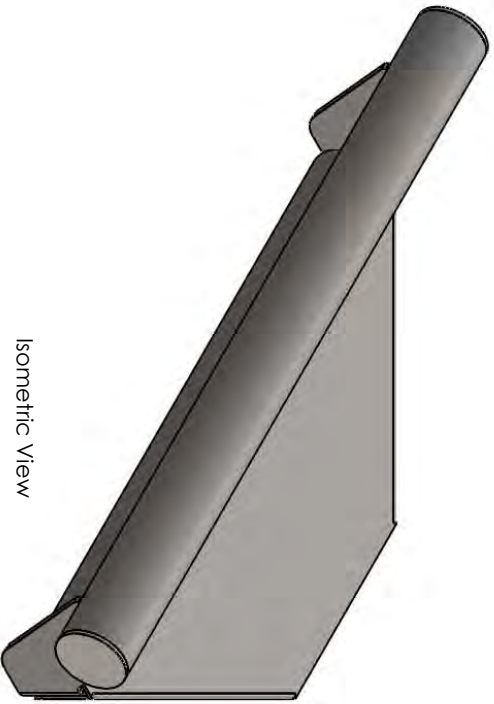
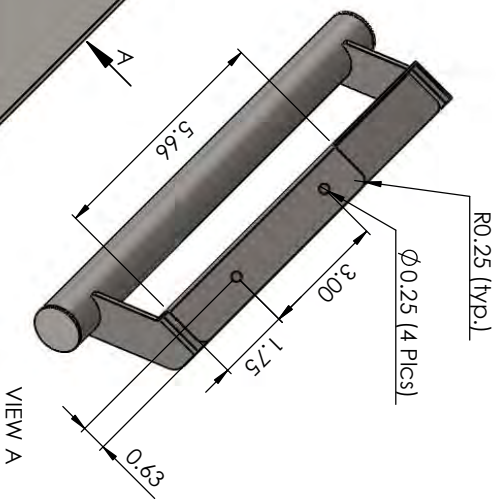
**ACCESSIBILITY
PROFESSIONALS**

FreedomShowers.com

1-877-947-7769

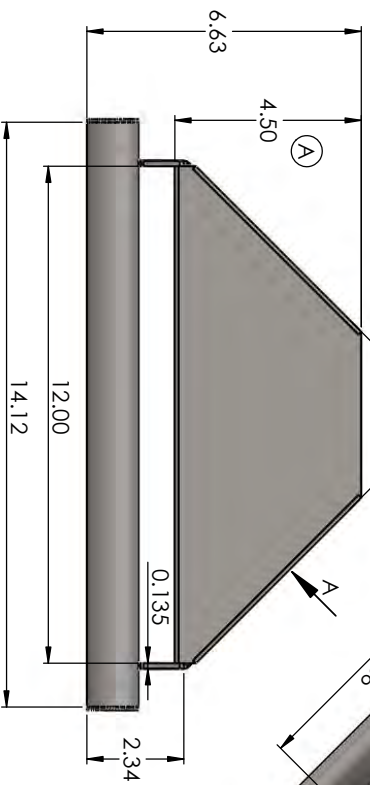
REVISIONS

| REV. | DESCRIPTION | DATE | APPROVED |
|------|--|------------|----------|
| A | Reduced depth by 1/2" to accommodate 1-1/4" Corner Radius. | 02-13-2015 | |

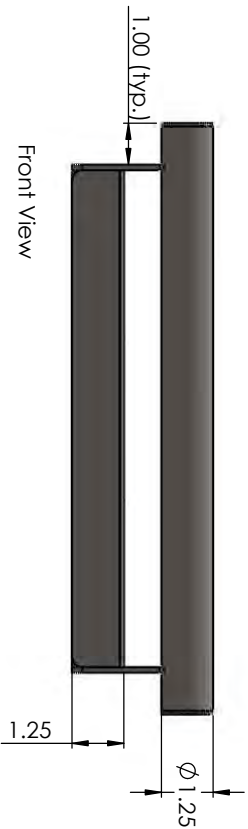


Isometric View

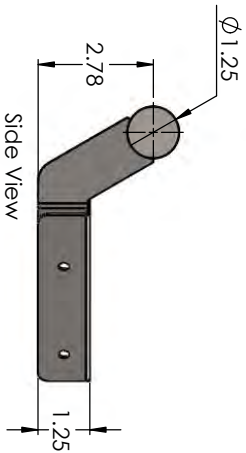
Top View



Front View



Side View



| UNLESS OTHERWISE SPECIFIED: | | NAME | DATE |
|--------------------------------------|-----------|------|----------|
| DIMENSIONS ARE IN INCHES | DRAWN | Tong | 03-13-15 |
| TOLERANCES: | CHECKED | | |
| ANGULAR MATCH ± | ENG APPR. | | |
| BEND ± | MFG APPR. | | |
| THREE PLACE DECIMAL ± | Q.A. | | |
| INTERPRET GEOMETRIC TOLERANCING PER: | COMMENTS: | | |
| MATERIAL | | | |
| 16ga (0.020) Stainless | | | |
| FINISH | | | |
| PC BRONZE | | | |
| USED ON | | | |
| APPLICATION | | | |

SIZE DWG. NO. **B** W-SC306-1406-BR_Q
SCALE: 1:5 **WEIGHT:** SHEET 1 OF 1

A

B

C

D

8 7 6 5 4 3 2 1

8 7 6 5 4 3 2 1

A

B

C

D



ACCESSIBILITY
PROFESSIONALS

FreedomShowers.com

1-877-947-7769

Description:

CORONADO SERIES
Straight Grab Bar w/ 19" Centers
(24" Overall, Both Ends Straight)

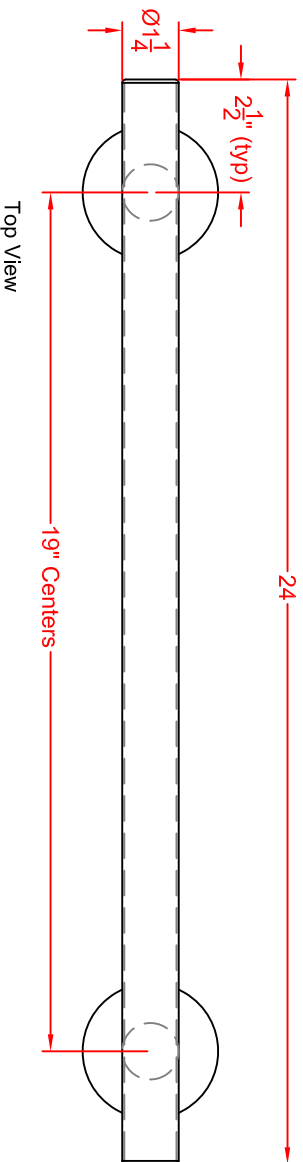
Customer:

790-240-QCR

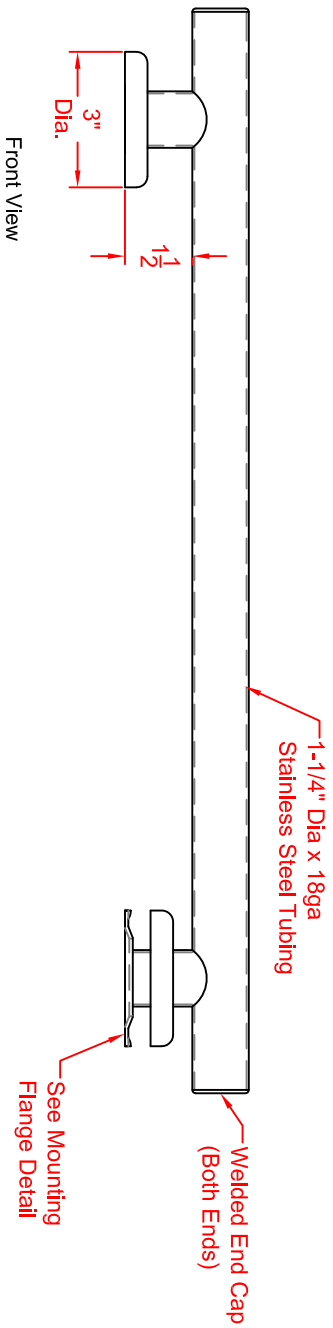
08-31-2012

MATERIALS

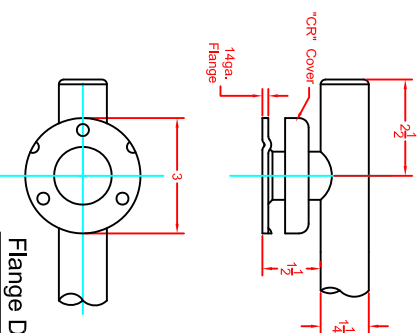
1-1/4" Dia. x 18ga. Stainless Steel Tubing.
Post: 1-1/4" Dia. x 18ga. Stainless Steel.
Mounting Flange: 3" Dia., 14ga. Stainless Steel.
Concealed Snap-On Cover: 22ga. Stainless Steel.



Top View



Front View



Flange Detail